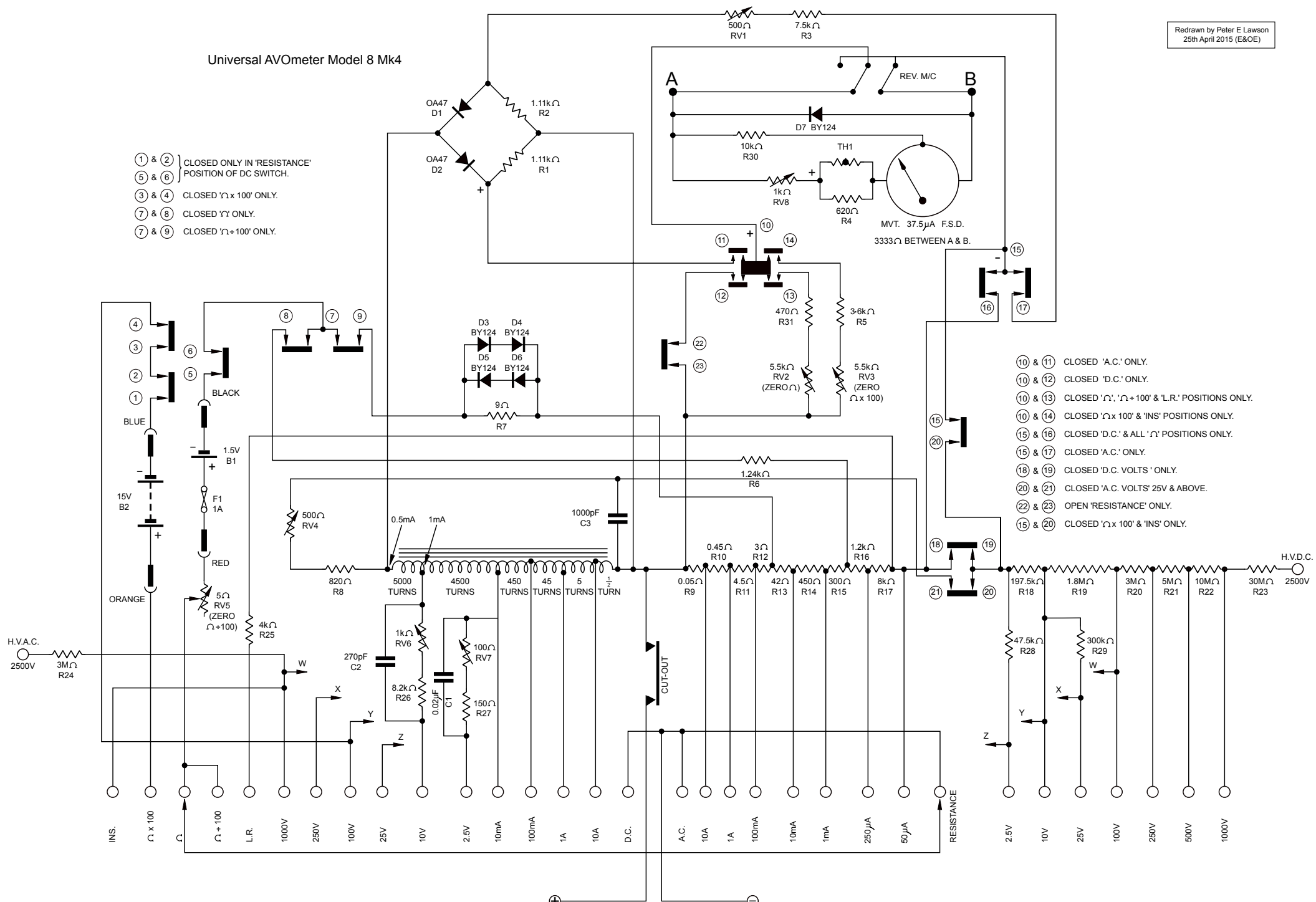


Universal AVOMeter Model 8 Mk4

- ① & ② } CLOSED ONLY IN 'RESISTANCE'
- ⑤ & ⑥ } POSITION OF DC SWITCH.
- ③ & ④ } CLOSED 'Ω x 100' ONLY.
- ⑦ & ⑧ } CLOSED 'Ω' ONLY.
- ⑦ & ⑨ } CLOSED 'Ω + 100' ONLY.



- ⑩ & ⑪ } CLOSED 'A.C.' ONLY.
- ⑩ & ⑫ } CLOSED 'D.C.' ONLY.
- ⑩ & ⑬ } CLOSED 'Ω', 'Ω + 100' & 'L.R.' POSITIONS ONLY.
- ⑩ & ⑭ } CLOSED 'Ω x 100' & 'INS.' POSITIONS ONLY.
- ⑮ & ⑯ } CLOSED 'D.C.' & ALL 'Ω' POSITIONS ONLY.
- ⑮ & ⑰ } CLOSED 'A.C.' ONLY.
- ⑱ & ⑲ } CLOSED 'D.C. VOLTS' ONLY.
- ⑳ & ㉑ } CLOSED 'A.C. VOLTS' 25V & ABOVE.
- ㉒ & ㉓ } OPEN 'RESISTANCE' ONLY.
- ⑮ & ⑳ } CLOSED 'Ω x 100' & 'INS.' ONLY.

D.C. + & A.C. COMMON.

D.C. - & A.C. SWITCH RANGES.

NUMBERS IN CIRCLES ON SWITCHES REFER TO P.C. DISC SWITCH CONNECTIONS ON DRG. C91061.